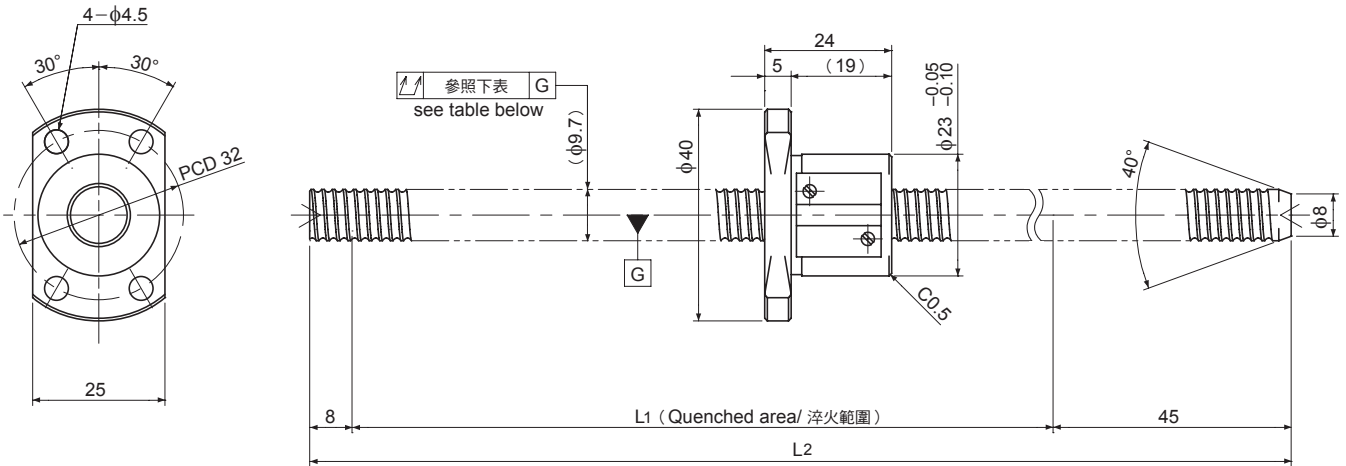


# SSR1002

Stainless 不鏽鋼

Shaft dia. (軸徑)  $\phi 10$  Lead (導程) 2mm

Ct7&Ct10



Unit (單位) : mm

| Ball Screw Specifications   |  | 主要技術參數                  |
|-----------------------------|--|-------------------------|
| Ball size 鋼珠直徑              |  | $\phi 1.5875$           |
| Number of thread 螺紋數        |  | 1                       |
| Thread direction 旋轉方向       |  | Right 右旋                |
| Shaft root dia. 螺桿谷徑        |  | $\phi 8.6$              |
| Number of circuit 循環數       |  | $3.7 \times 1$          |
| Shaft, Nut material 螺桿、螺帽材質 |  | SUS440C                 |
| Surface hardness 螺紋部表面硬度    |  | HRC55~<br>(Thread area) |
| Anti-rust treatment 防鏽處理    |  | Anti-rust oil<br>防鏽油    |

Unit (單位) : mm

| Ball Screw Model<br>滾珠螺桿型號 | Travel<br>行程 | Grade<br>精度 | Shaft length<br>螺桿長度 |     | Lead accuracy<br>導程精度                |                         | Total<br>Run-out<br>偏擺量<br>$\updownarrow$ | Axial<br>play<br>軸向間隙 | Preload<br>Torque<br>預壓扭矩<br>Nm | Basic Load Rating<br>基本額定荷重 N |                        |
|----------------------------|--------------|-------------|----------------------|-----|--------------------------------------|-------------------------|---|-----------------------|---------------------------------|-------------------------------|------------------------|
|                            |              |             | L1                   | L2  | Travel deviation<br>代表移動量誤差<br>$e_p$ | Variation<br>變動<br>V300 |   |                       |                                 | Dynamic<br>動額定荷重<br>Ca        | Static<br>靜額定荷重<br>Coa |
| SSR1002-400C7              | 320          | Ct7         | 347                  | 400 | $\pm 0.06$                           | 0.05                    | 0.080                                     | $\sim 0.020$          | —                               | 2200                          | 4000                   |
| SSR1002-400C10             | 320          | Ct10        | 347                  | 400 | $\pm 0.24$                           | 0.21                    | 0.160                                     | $\sim 0.050$          |                                 |                               |                        |

Note ) Please designate end-journal profile with your sketch.

註) 軸端的追加工請提供圖面進行指示。