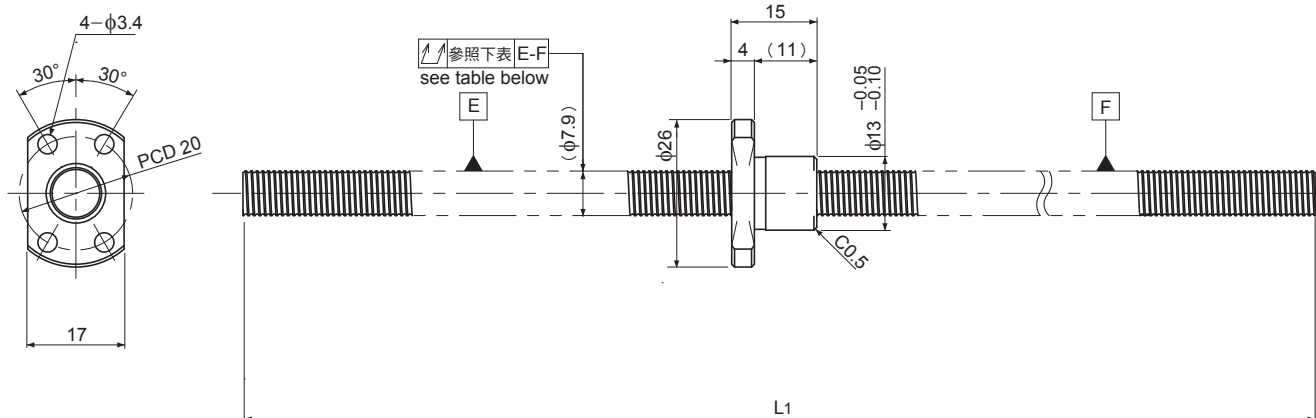


PSR0801K

Compact Nut 精巧型螺帽

Shaft dia. (軸徑) $\phi 8$ Lead (導程) 1mm

C5



Unit (單位) : mm

| Ball Screw Specifications | | 主要技術參數 |
|---------------------------|----------|---------------------------|
| Ball size 鋼珠直徑 | | $\phi 0.8$ |
| Number of thread 螺紋數 | | 1 |
| Thread direction 旋轉方向 | | Right 右旋 |
| Shaft root dia. 螺桿谷徑 | | $\phi 7.3$ |
| Number of circuit 循環數 | | 1×3 |
| Material 材質 | Shaft 螺桿 | S55C |
| | Nut 螺帽 | SCM415H |
| Surface hardness 螺紋部表面硬度 | | HRC58~ (Thread area) |
| Anti-rust treatment 防鏽處理 | | Anti-rust oil 防鏽油 |

Unit (單位) : mm

| Ball Screw Model 滾珠螺桿型號 | Travel 行程 | Shaft length 螺桿長度 | Travel deviation 代表移動量誤差 ep | Total Run-out 偏擺量 $\uparrow\downarrow$ | Axial play 軸向間隙 | Basic Load Rating 基本額定荷重 N | |
|----------------------------|--------------|----------------------|-----------------------------------|---|-----------------------|-------------------------------|------------------------|
| | | L1 | | | | Dynamic 動額定荷重 Ca | Static 靜額定荷重 Coa |
| PSR0801K-230R230C5 | 210 | 230 | ± 0.023 | 0.065 | ~ 0.005 | 650 | 1300 |

Note) Please designate end-journal profile with your sketch.

註) 軸端的追加工請提供圖面進行指示。