

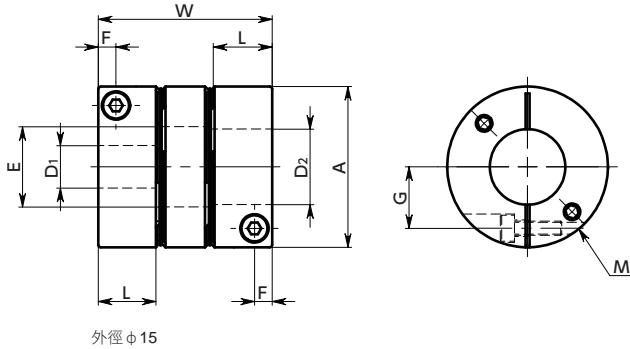
XHW-C/XHW-C-L 撓性聯軸器 - 簧片型 NEW

WEB 選型指南 WEB CAD Download 0 零背隙 高扭矩 高剛性

XHW-C



XHW-C-L



外徑 $\phi 15$

尺寸

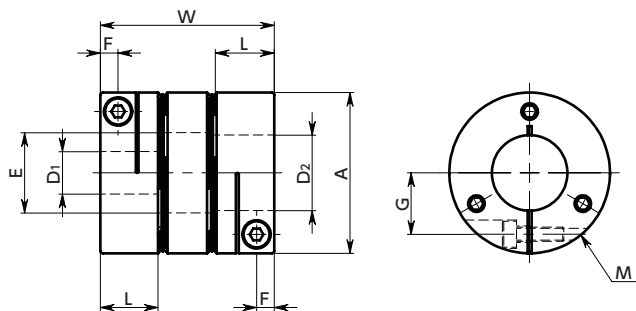
單位：mm

型號	A	L	W	E	F	G	M	螺栓鎖緊扭矩 (N·m)
XHW-15C	15	7.5	21.6	6.3	2.1	5	M2	0.45
XHW-19C	19	9.2	25.7	8.5	2.6	7	M2	0.5
XHW-25C	25	11	32.2	12.5	3.3	9.25	M2.5	1
XHW-27C	27	11	32.2	14.5	3.3	10.25	M2.5	1
XHW-34C	34	12.5	36.8	16.5	3.75	13	M3	1.5
XHW-39C	39	15.5	46.6	20.5	4.5	14.5	M4	3.5
XHW-44C	44	15.5	46.6	22.5	4.5	17	M4	3.5
XHW-56C	56	20.5	61.2	28.5	6	21	M5	8
XHW-64C	64	24	74.4	36	7	24	M6	13
XHW-79C	79	30	97.2	43	8.75	29	M8	28
XHW-19C-L	19	9.2	34	8.5	2.6	7	M2	0.5
XHW-25C-L	25	11	42	12.5	3.3	9.25	M2.5	1
XHW-27C-L	27	11	42	14.5	3.3	10.25	M2.5	1
XHW-34C-L	34	12.5	44	16.5	3.75	13	M3	1.5
XHW-39C-L	39	15.5	55	20.5	4.5	14.5	M4	3.5

型號	標準孔徑																											
	D1-D2	3	4	5	6	6.35	8	9.525	10	11	12	14	15	16	17	18	19	20	22	24	25	28	30	32	35	38	40	42
XHW-15C	●	●	●	●																								
XHW-19C	●	●	●	●	●	●																						
XHW-25C		●	●	●	●	●	●	●	●	●	●	●																
XHW-27C		●	●	●	●	●	●	●	●	●	●	●																
XHW-34C			●	●	●	●	●	●	●	●	●	●	●	●														
XHW-39C				●	●	●	●	●	●	●	●	●	●	●	●	●	●	●	●									
XHW-44C					●	●	●	●	●	●	●	●	●	●	●	●	●	●	●	●	●							
XHW-56C						●	●	●	●	●	●	●	●	●	●	●	●	●	●	●	●	●	●					
XHW-64C							●	●	●	●	●	●	●	●	●	●	●	●	●	●	●	●	●	●	●	●	●	●
XHW-79C												●	●	●	●	●	●	●	●	●	●	●	●	●	●	●	●	●
XHW-19C-L	●	●	●	●	●	●																						
XHW-25C-L		●	●	●	●	●	●	●	●	●	●																	
XHW-27C-L		●	●	●	●	●	●	●	●	●	●	●																
XHW-34C-L			●	●	●	●	●	●	●	●	●	●	●	●														
XHW-39C-L				●	●	●	●	●	●	●	●	●	●	●	●	●	●	●	●	●	●	●	●	●	●	●	●	●

- 所有產品皆附有內六角螺栓。
- 軸心公差建議為h6或h7。
- 安裝到D Cut時，請注意軸的D Cut面位置。→P.253

● 軸孔・鍵槽追加加工 →P.242
● 無塵洗淨・無塵包裝 →P.244
● SUS 變更為不鏽鋼螺栓 →P.246

外徑 $\phi 19$ - $\phi 79$

性能

型號	最大孔徑 (mm)	常用扭矩*1 (N·m)	最大扭矩*1 (N·m)	最大轉速 (min ⁻¹)	慣性力矩*2 (kg·m ²)	靜態扭轉剛性 (N·m/rad)	偏心 (mm)	偏角 (°)	軸向偏差 (mm)	質量*2 (g)
XHW-15C	6	0.6	1.2	42000	3.0×10^{-7}	100	0.1	1.4	±0.2	9.4
XHW-19C	8	1.5	3	33000	8.8×10^{-7}	300	0.12	2	±0.2	17
XHW-25C	12	3	6	25000	3.4×10^{-6}	1000	0.15	2	±0.3	35
XHW-27C	14	3.3	6.6	23000	4.4×10^{-6}	1400	0.15	2	±0.4	39
XHW-34C	16	6.3	12.6	18000	1.3×10^{-5}	2500	0.2	2	±0.5	75
XHW-39C	20	12	24	16000	2.9×10^{-5}	4700	0.25	2	±0.5	123
XHW-44C	22	15	30	14000	4.7×10^{-5}	6400	0.25	2	±0.6	156
XHW-56C	28	37.5	75	11000	1.7×10^{-4}	12000	0.3	2	±0.7	340
XHW-64C	35	50	100	9800	3.3×10^{-4}	15000	0.35	2	±0.9	490
XHW-79C	42	100	200	7900	1.0×10^{-3}	22000	0.5	2	±1.1	1100
XHW-19C-L	8	1.5	3	33000	1.2×10^{-6}	300	0.25	2	±0.2	22
XHW-25C-L	12	3	6	25000	4.3×10^{-6}	1000	0.3	2	±0.3	45
XHW-27C-L	14	3.3	6.6	23000	5.8×10^{-6}	1400	0.3	2	±0.4	50
XHW-34C-L	16	6.3	12.6	18000	1.6×10^{-5}	2500	0.3	2	±0.5	89
XHW-39C-L	20	12	24	16000	3.4×10^{-5}	4700	0.4	2	±0.5	144

*1 無須根據負荷變化修正常用扭矩和最大扭矩。

*2 最大孔徑時的數值。

● 型號指定

XHW-25C-L-8-10

